
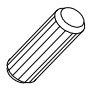
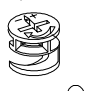
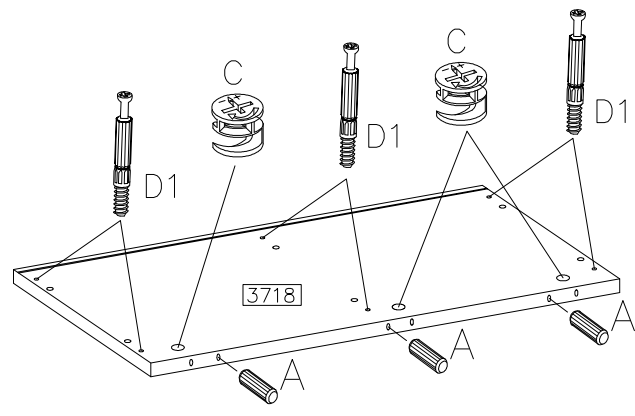
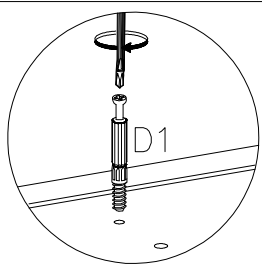
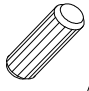


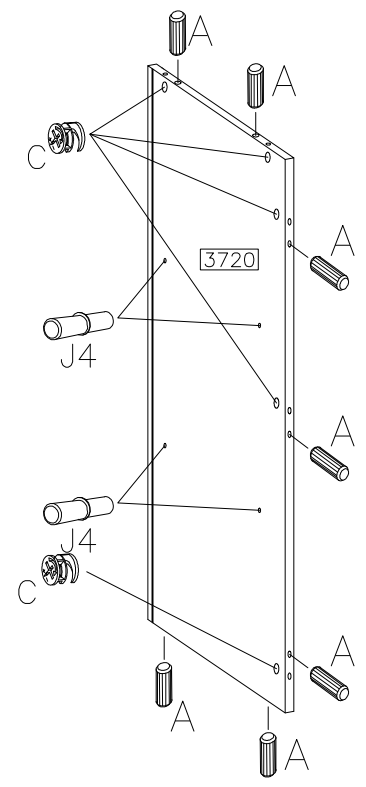
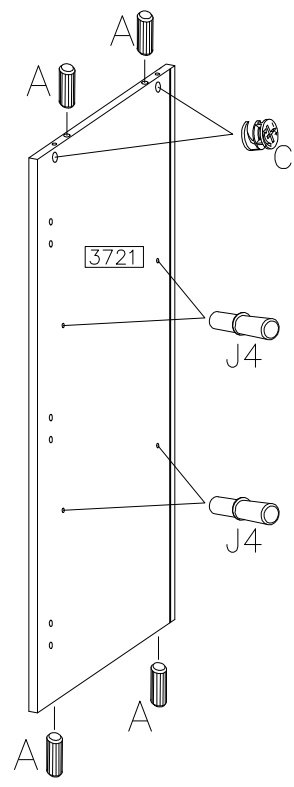
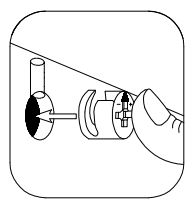
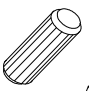




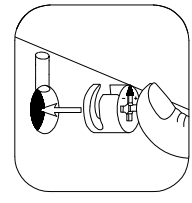
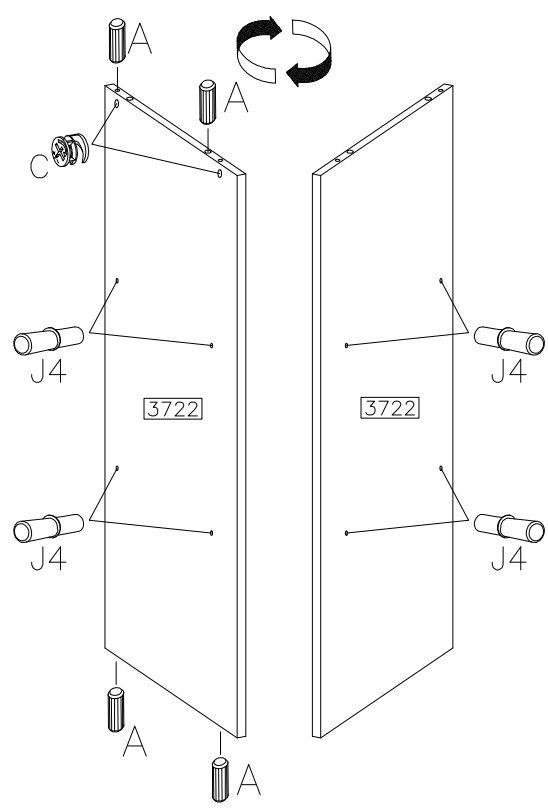
1	
	D1
6	
$\varnothing 8 \times 30 \text{mm}$ 	A
$\varnothing 15/12 \text{mm}$ 	C
3	3



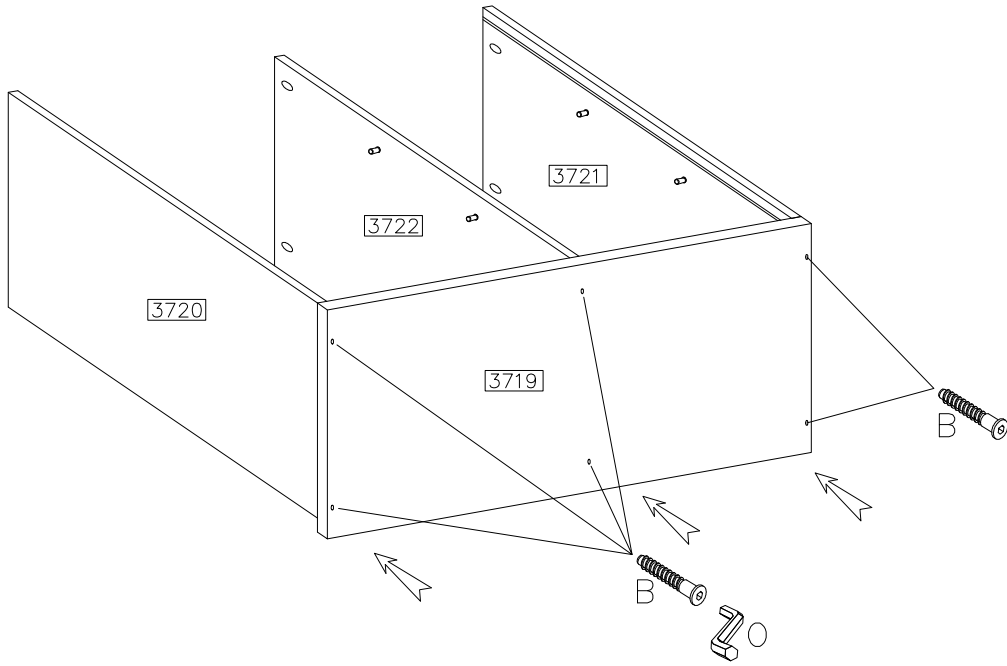
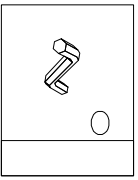
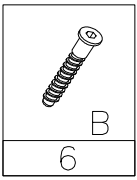
2	
$\varnothing 8 \times 30 \text{mm}$ 	A
11	
$\varnothing 15/12 \text{mm}$ 	C
	J4
7	8



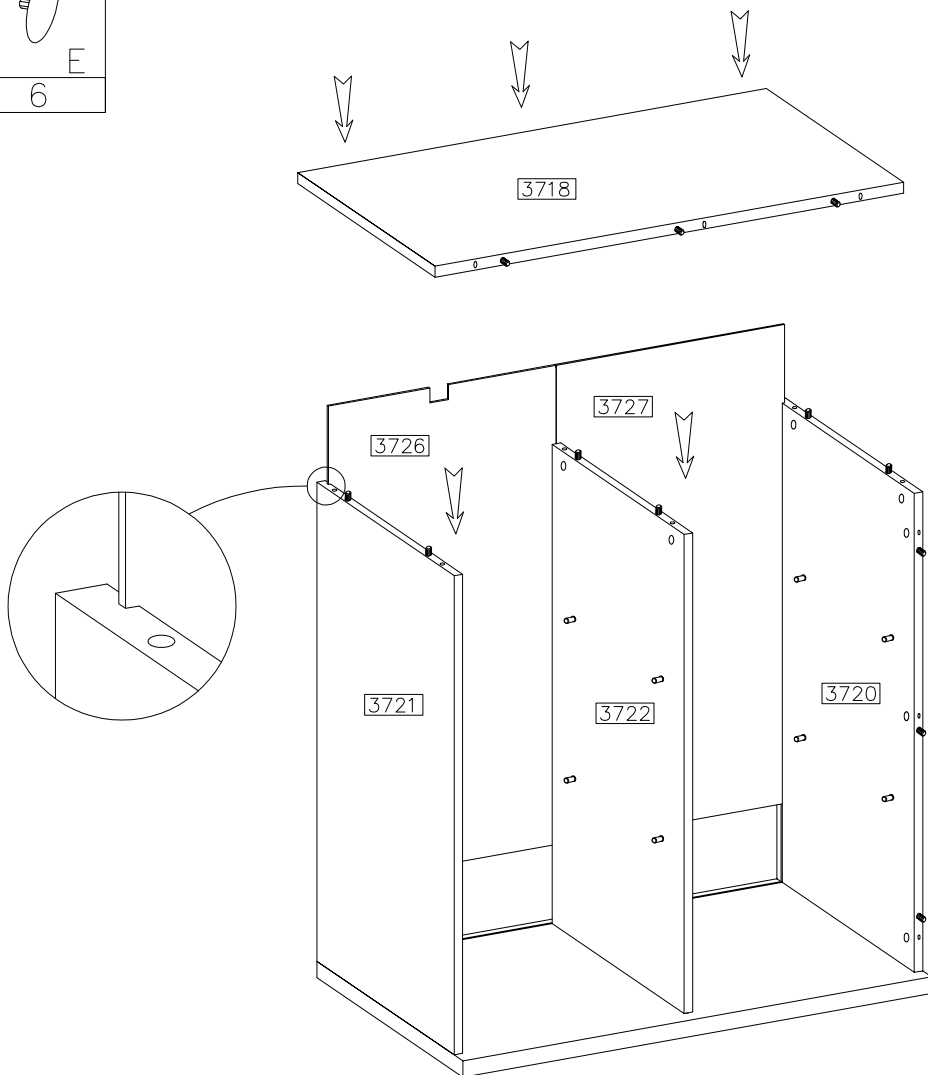
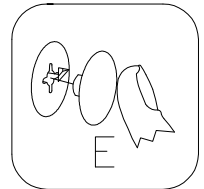
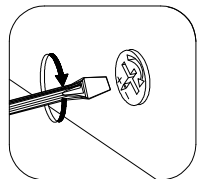
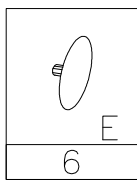
3	
$\varnothing 8 \times 30 \text{mm}$ 	A
$\varnothing 15/12 \text{mm}$ 	C
4	2
	J4
8	



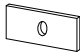

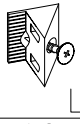
4

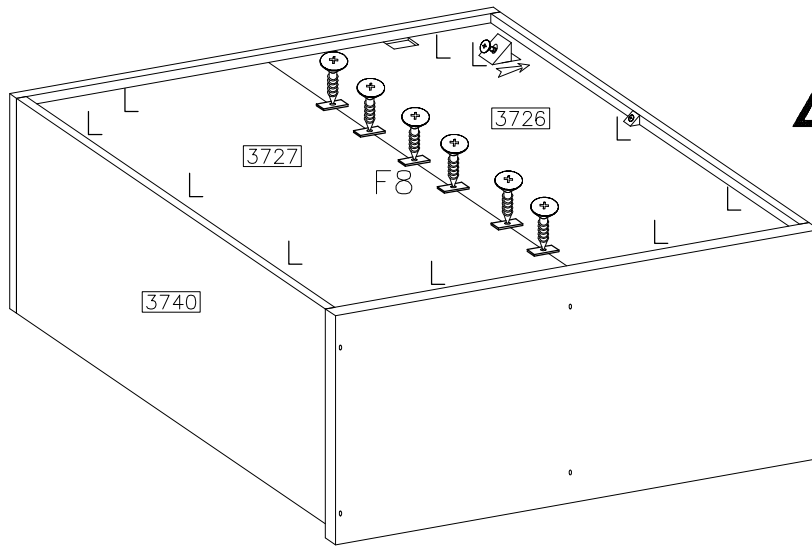


5

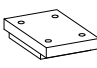


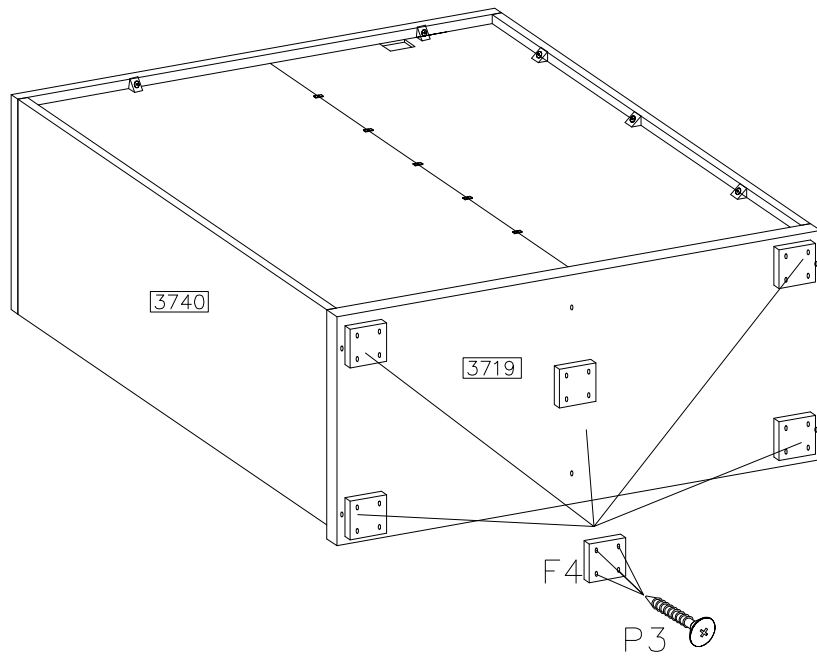
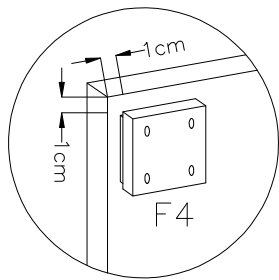
6

	0
F8	8
$\varnothing 3.0 \times 16 \text{mm}$	
	P1
8	
	L
10	

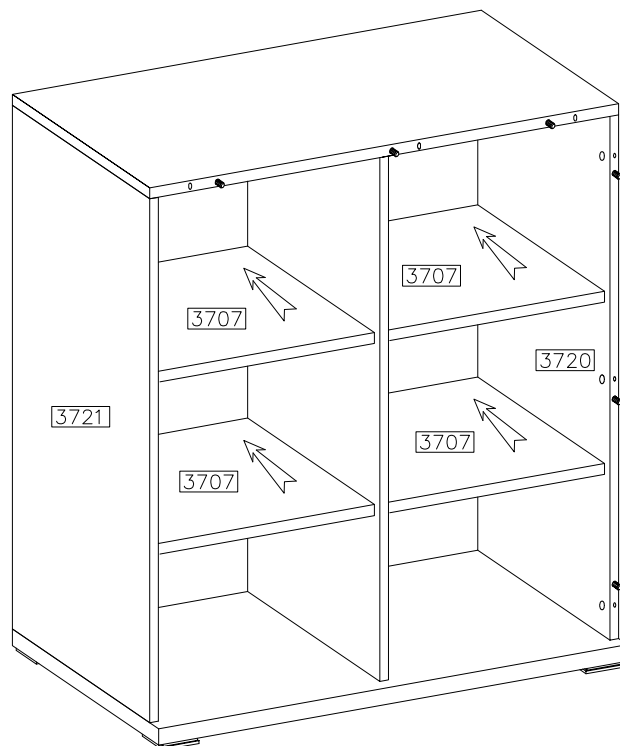


7

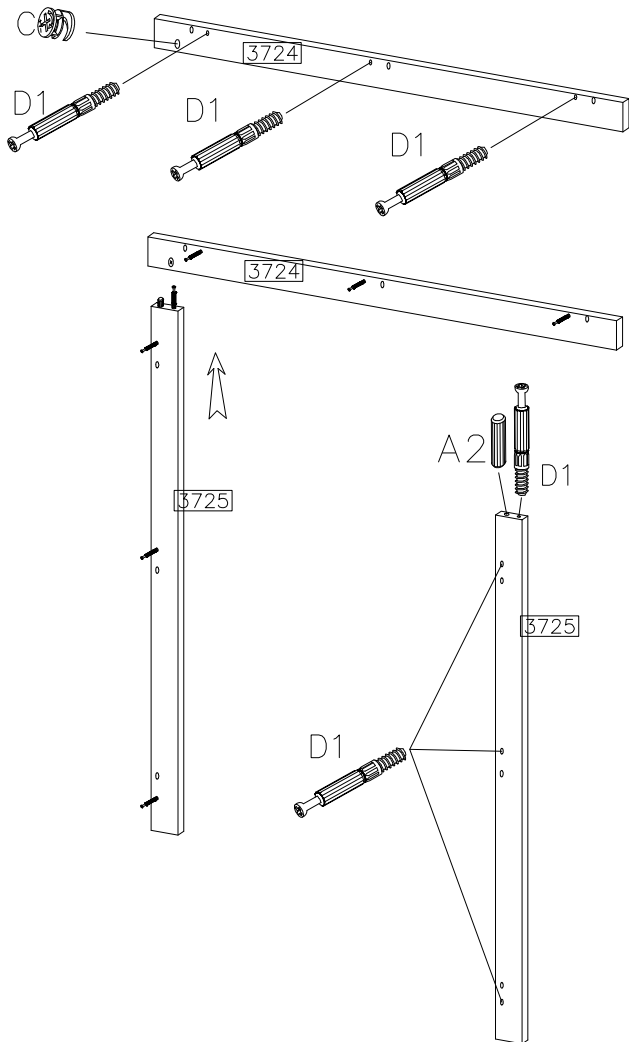
	$\varnothing 4.0 \times 30 \text{mm}$
F4	P3
5	20


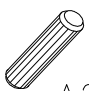




8

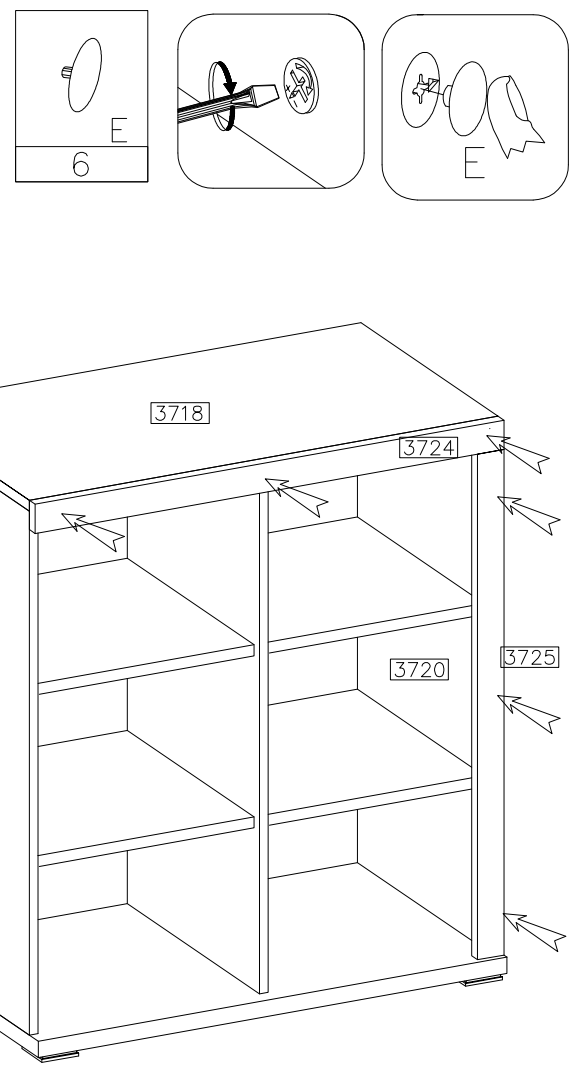



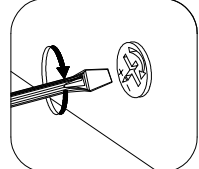
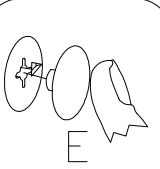
9





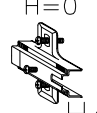
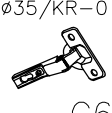
-  D1
- 6
- ∅8x40mm
-  A2
- 1
- ∅15/12mm
-  C
- 1
-  E
- 1

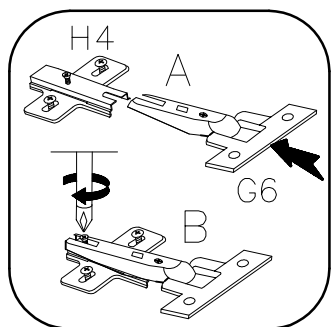
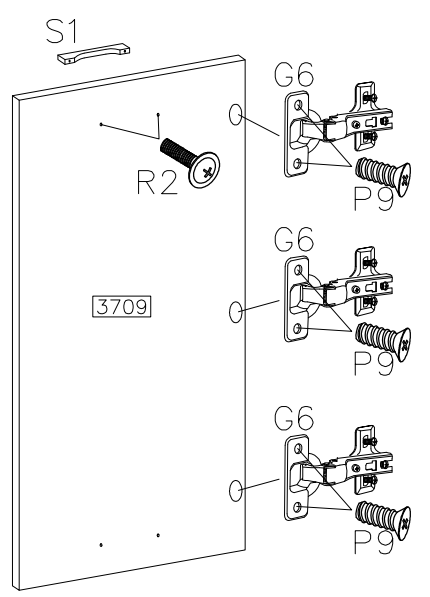
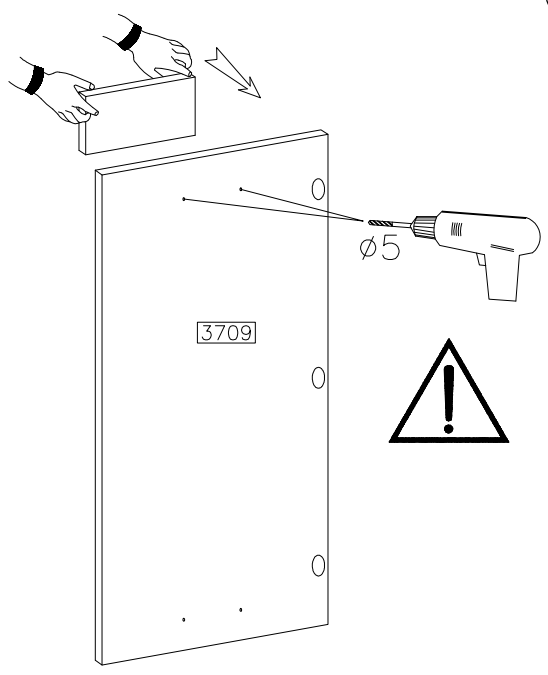
10



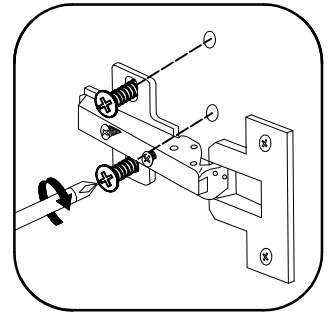
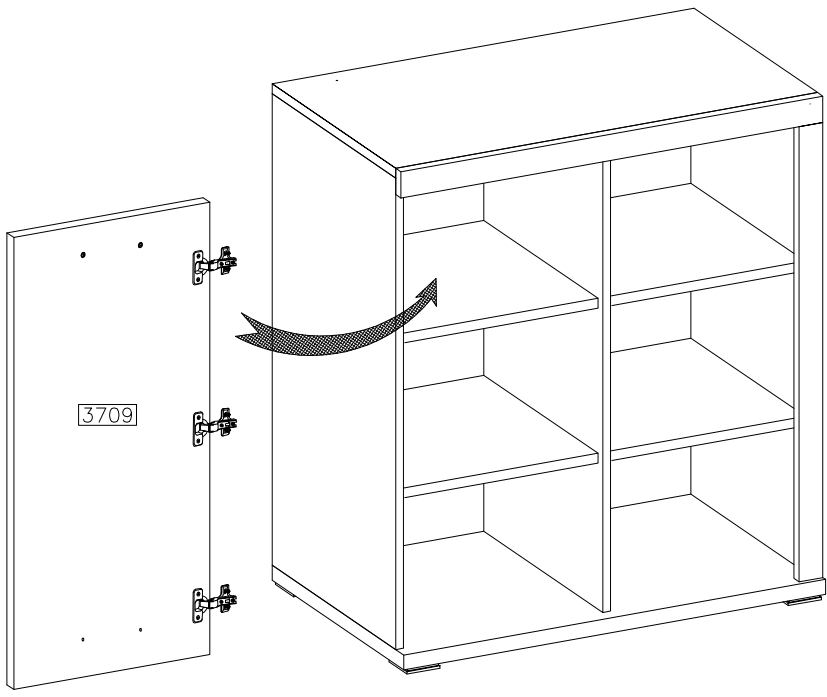
-  E
- 6
- 
-  E

11

- 5.0x13mm
-  P9
- 6
- M4.0x22mm
-  R2
- S1
-  H4
- 2
- ∅35/KR-0
-  G6
- 3
- 3



12



13

